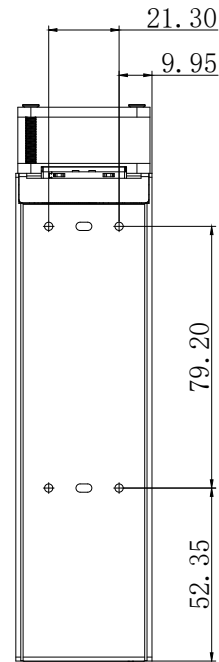
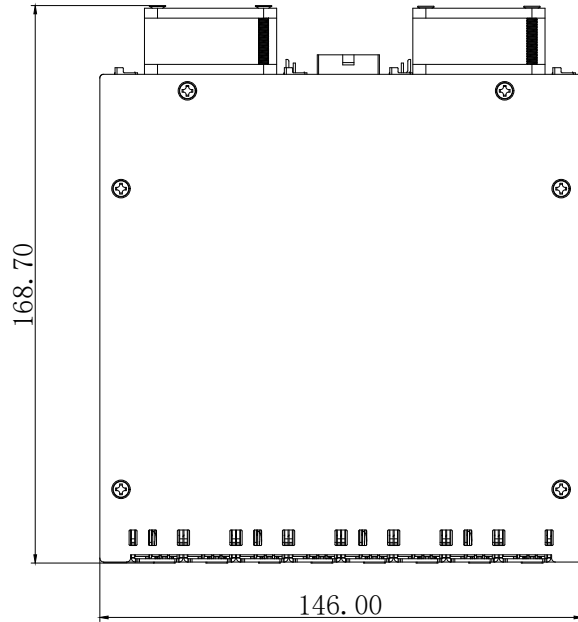
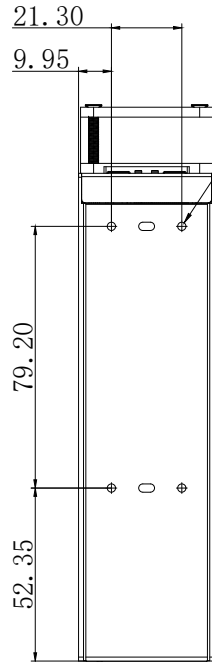
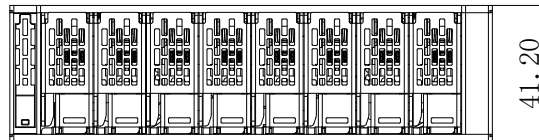
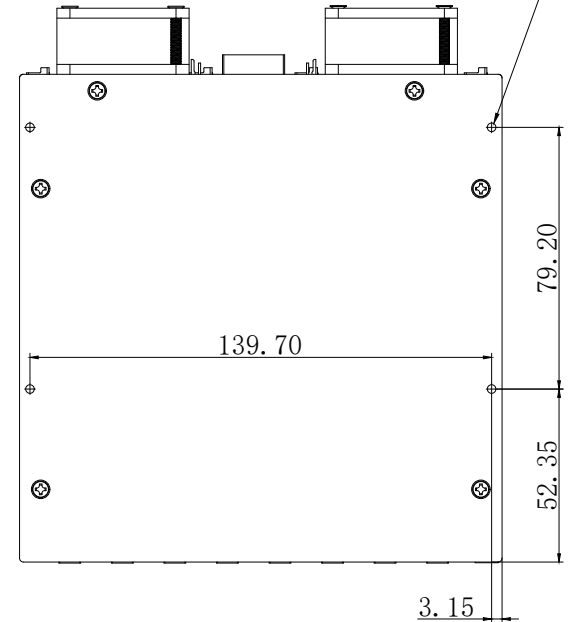


8-M3\*2.5(Suggest screw size)



4-M3\*2.5(Suggest screw size)



|                              |              |              |       |
|------------------------------|--------------|--------------|-------|
| <b>CREMAX TECH CO., LTD.</b> |              |              |       |
| TITLE                        |              | TOLERANCE    |       |
| MB218E5P-B                   |              | X            | ±0.20 |
| DRAWN:                       | DATE         | SCALE        | REV.  |
|                              | 2026. 02. 26 | 1:1          | 1.0   |
| CHECKED:                     | DATE         | UNIT         | REV.  |
|                              |              | mm           | 1.0   |
| APPROVED:                    | DATE         | SHEET 1 OF 1 |       |