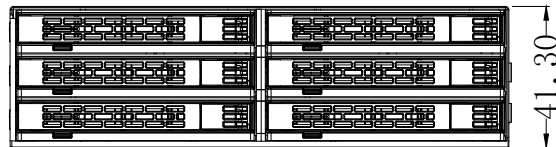
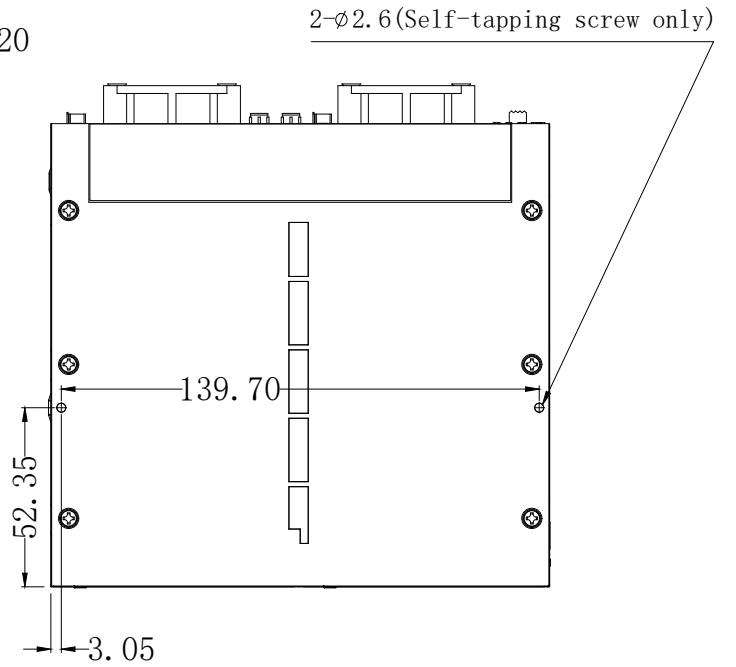
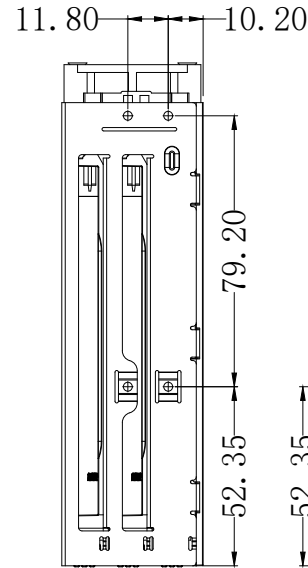
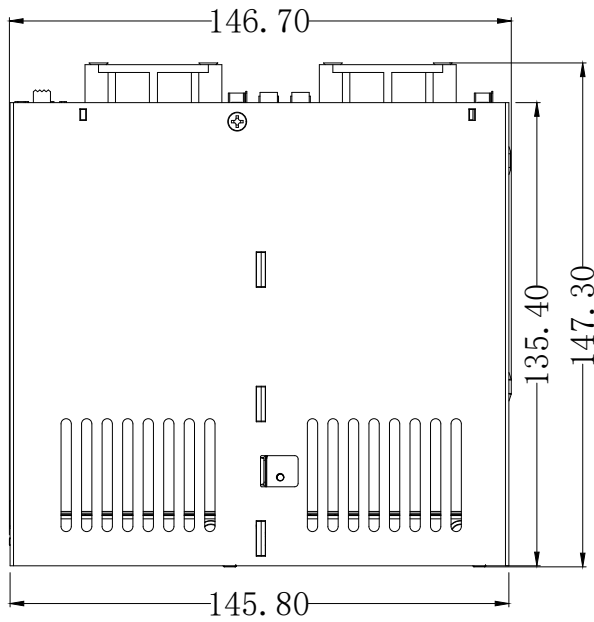
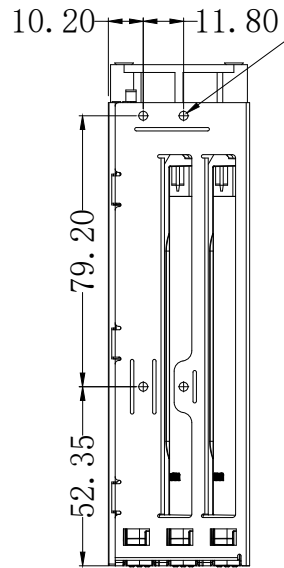


8-M3\*2.5 (Suggest screw size)



APPLIED MODEL

CREMAX TECH CO., LTD.

TITLE MB326SP-B 全组立图		 MATERIAL		TOLERANCE X.X ±0.3	
DRAWN	DATE 2022/9/15	FINISHED		SCALE 1:1	
CHECHED	DATE	PART NO.		UNIT mm	REV. 1.0
APPROVED	DATE	DWG. NO.		SHEET 1 OF 1	