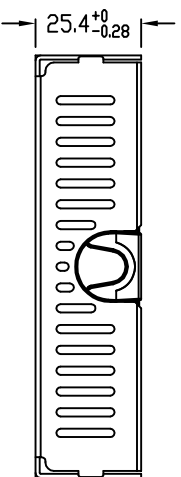
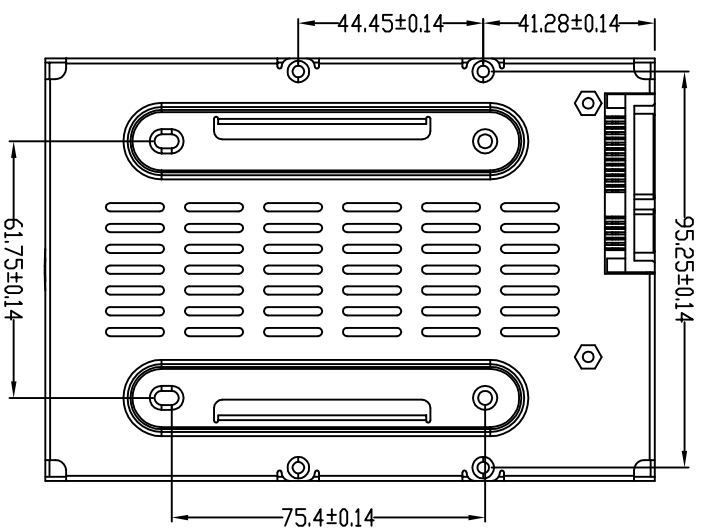
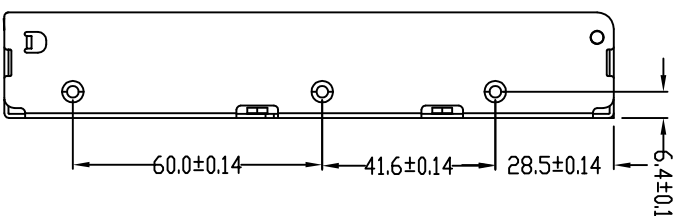
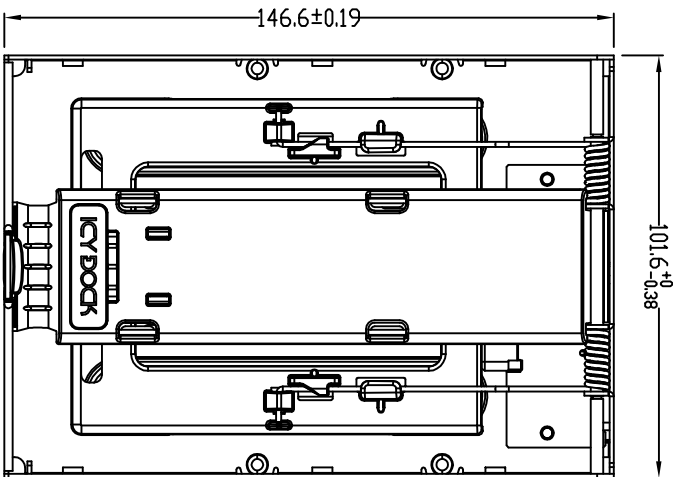
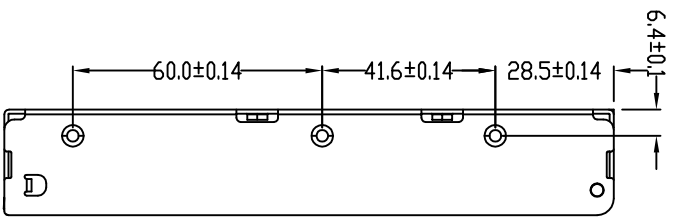
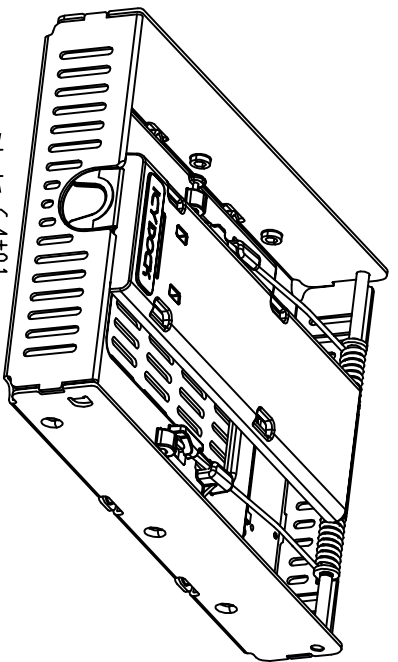
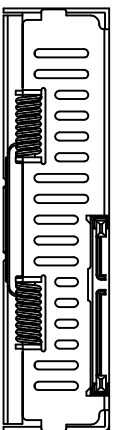


MARK

REVISED CONTENT

DATE



APPROVED



APPLIED MODEL

CREMAX TECH CO., LTD.

TITLE  
MB382SP-3B\_全組立

 MATERIAL  
 TOLERANCE

XX ±0.3

DRAWN DATE FINISHED

SCALE 1:1

CHECKED DATE PART NO.

UNIT mm REV.

APPROVED DATE DWG. NO.

SHEET OF