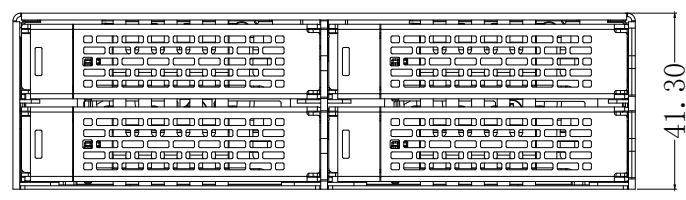
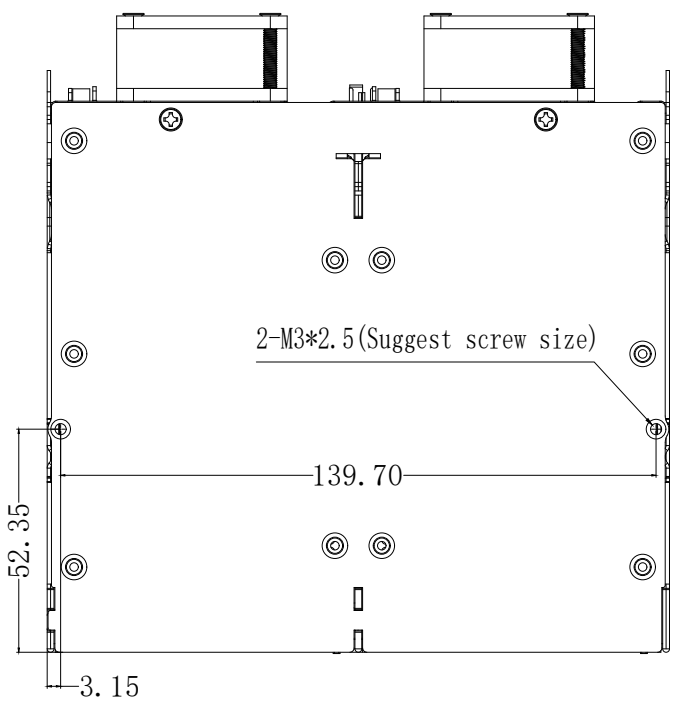
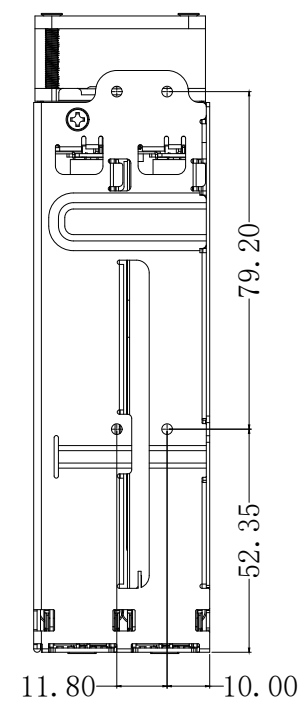
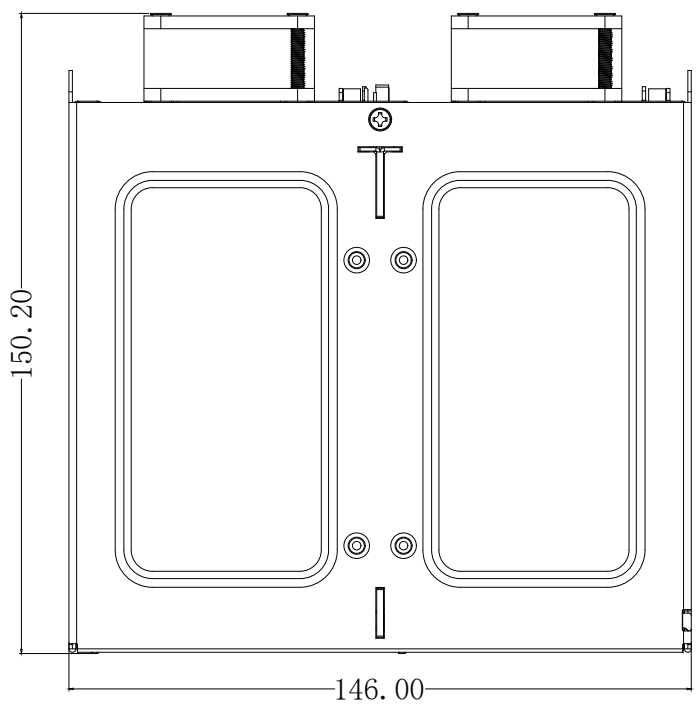
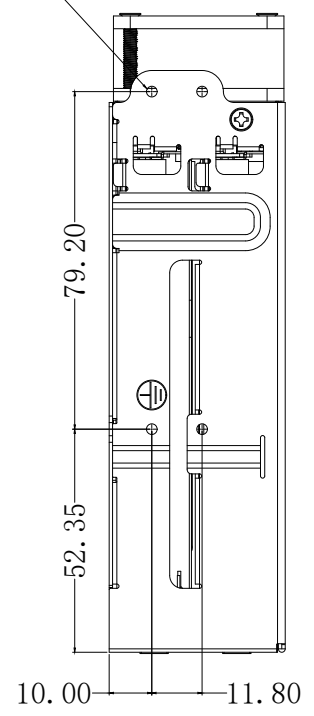


8-M3*2.5(Suggest screw size)



APPLIED MODEL

CREMAX TECH CO., LTD.				
TITLE				TOLERANCE
MB699VP-B V2 全组立图		MATERIAL		10mm以下 ±0.1
DRAWN		DATE		10-50mm ±0.15
2022/9/15		FINISHED		50mm以上 ±0.2
CHECKED	DATE	PART NO.	UNIT	X° ±0.5°
			mm	SCALE
APPROVED	DATE	DWG. NO.	SHEET	OF