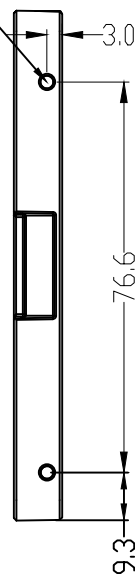
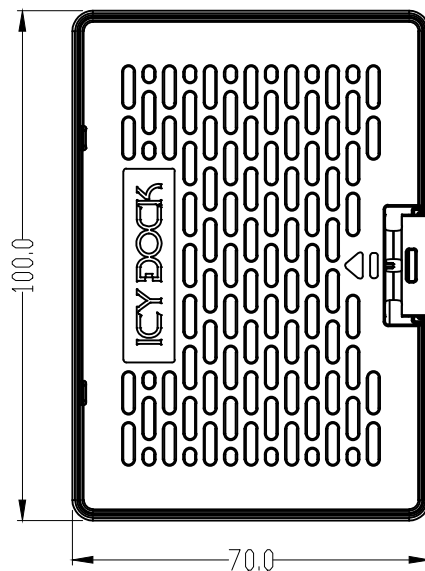
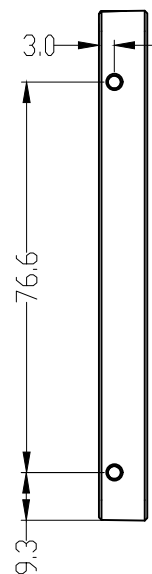
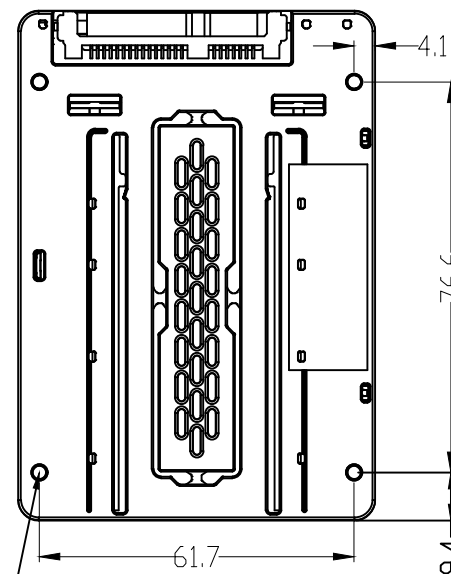


M3*6(4X)
(Suggest screw size)



M3*6(4X)
(Suggest screw size)



APPLIED MODEL

CREMAX TECH CO., LTD.				
TITLE MB703M2P-B 全组立图		MATERIAL	TOLERANCE XX ±0.3	
DRAWN	DATE	FINISHED		SCALE 1:1
CHECKED	DATE	PART NO.	UNIT MM	REV.
APPROVED	DATE	DWG. NO.	SHEET	OF