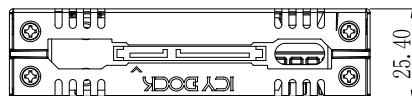
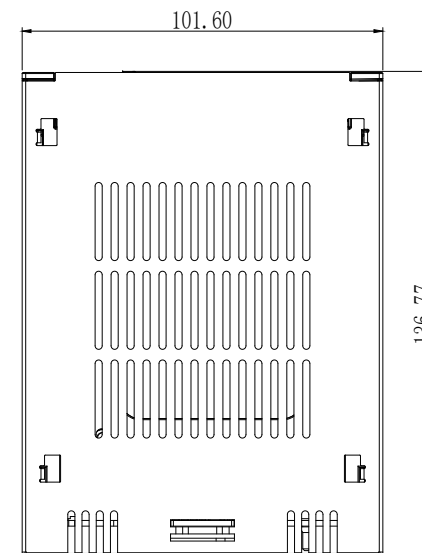
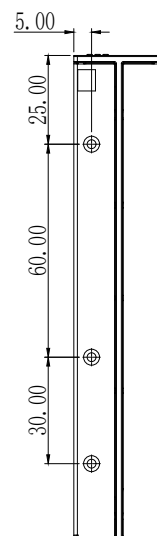
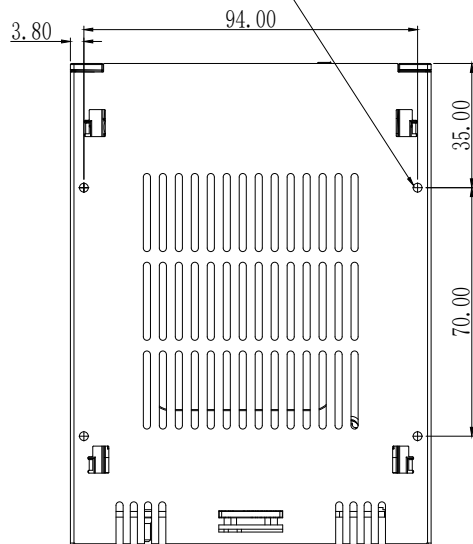
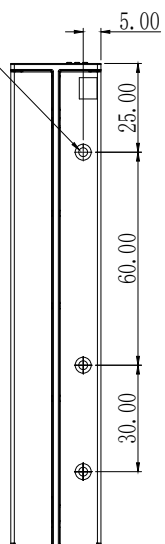


6-M3*2.5 (Suggest screw size)

4- ϕ 2.5 (Self-tapping screw only)



APPLIED MODEL

CREMAX TECH CO., LTD.

TITLE		MATERIAL		TOLERANCE	
MB741SP-B 全组立图				10mm以下 ± 0.1 10-50mm ± 0.15 50mm以上 ± 0.2 X° $\pm 0.5^\circ$	
DRAWN	DATE	FINISHED		SCALE	
	2022/9/15			1:1	
CHECHED	DATE	PART NO.	UNIT	REV.	
			mm		
APPROVED	DATE	DWG. NO.	SHEET 1 OF 1		