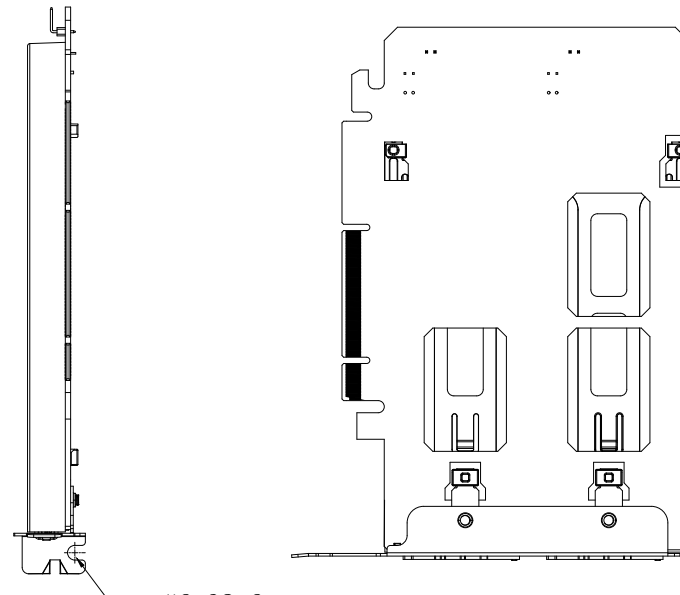
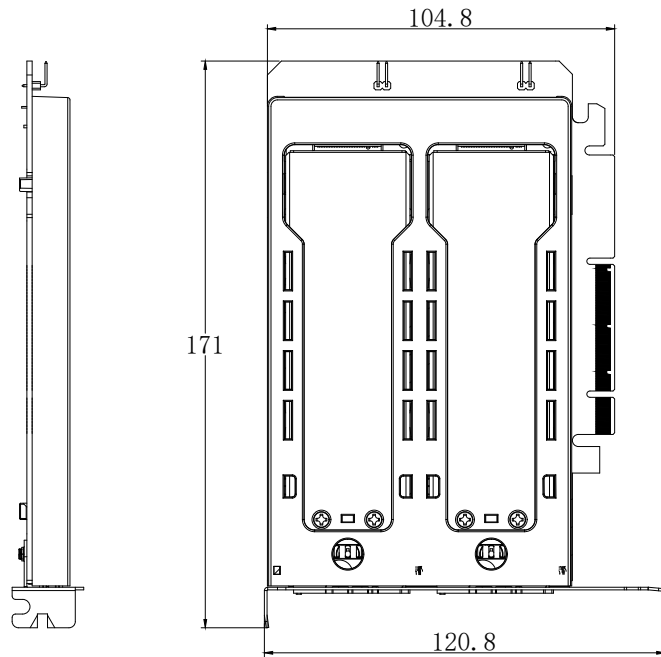
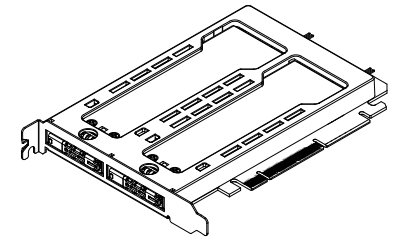
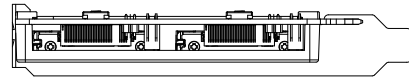


MARK

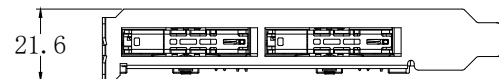
REVISED CONTENT

DATE

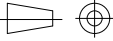
MODIFIED BY



#6-32\*6  
(Suggest screw size)



CREMAX TECH CO., LTD.

TITLE		TOLERANCE	
MB842M5P-B 全组立图		X	±0.20
DRAWN:	DATE	X.X	±0.15
CHECKED:	DATE	X.XX	±0.10
APPROVED:	DATE	X°	±0.5°
		SCALE	1:1
		UNIT	mm
		REV.	1.0
		SHEET 1 OF 1	