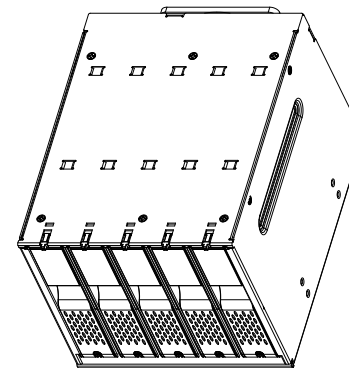
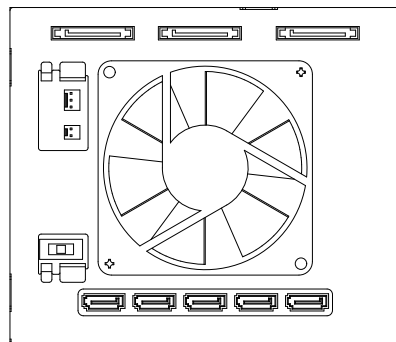


MARK

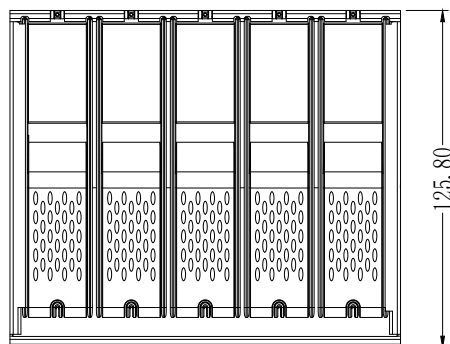
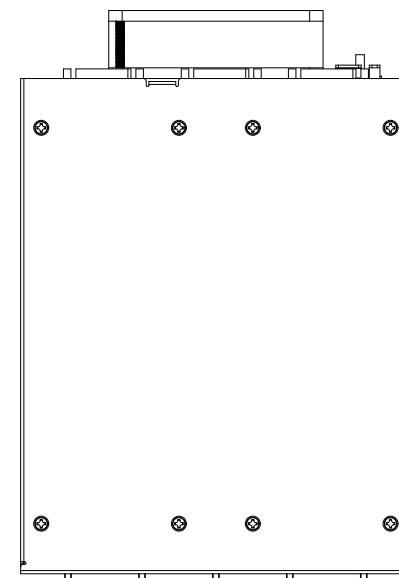
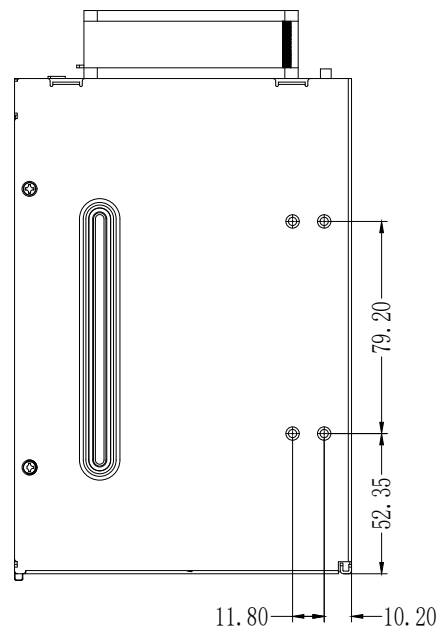
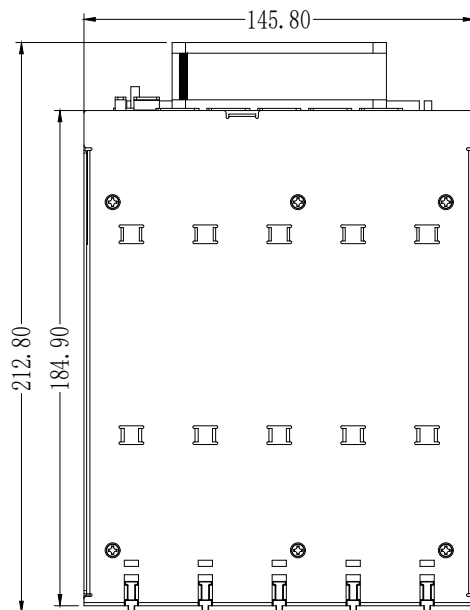
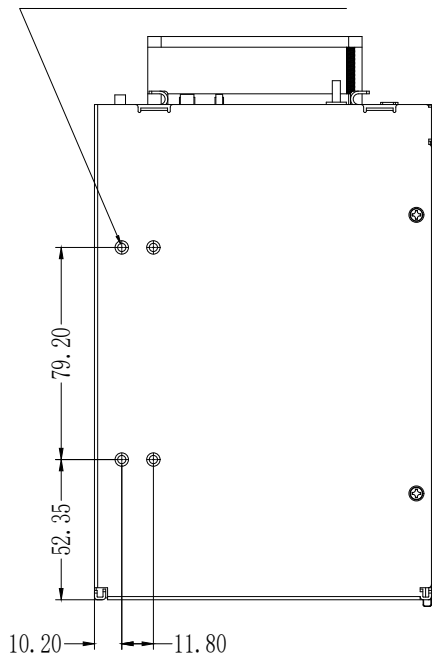
REVISED CONTENT

DATE

APPROVED



8-M3*4 (Suggest screw size)



APPLIED MODEL

CREMAX TECH CO., LTD.

TITLE				TOLERANCE	
MB975SP-B R1 全组立图		MATERIAL		10mm以下 ±0.1	
DRAWN		DATE		10-50mm ±0.15	
		2022/9/15		50mm以上 ±0.2	
CHECKED		PART NO.		X° ±0.5°	
APPROVED		DWG. NO.		SCALE	
				1:1	
				UNIT	
				mm	
				REV.	
				SHEET 1 OF 1	