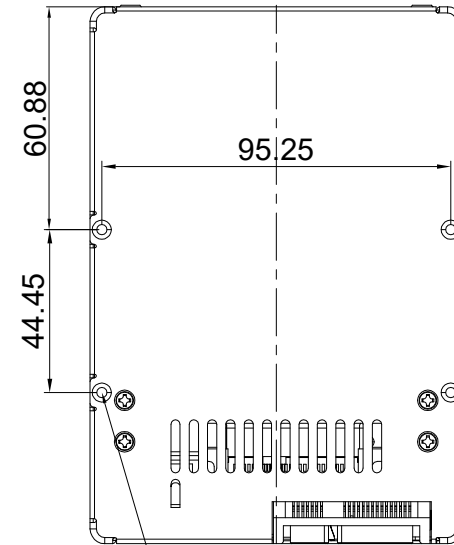
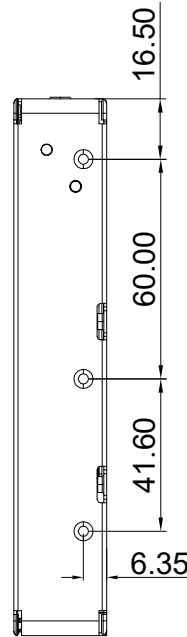
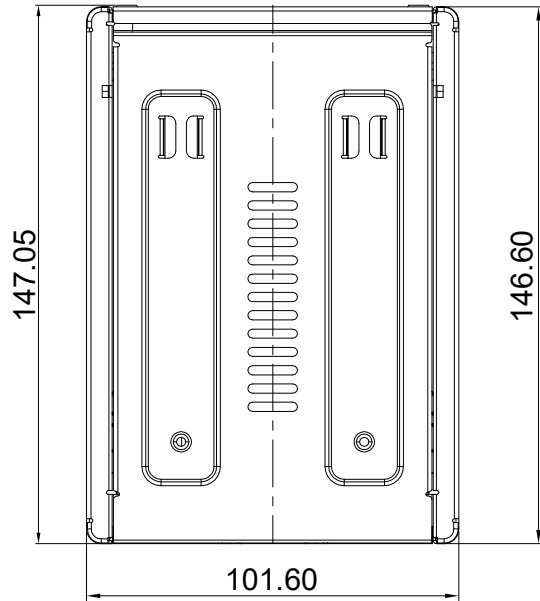
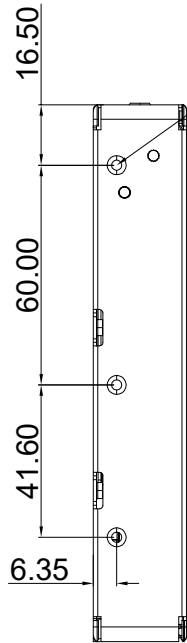
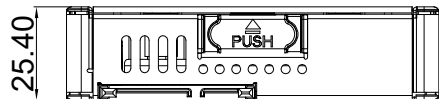


#6-32*6
(Suggest screw size)



#6-32*6
(Suggest screw size)



APPLIED MODEL

CREMAX TECH CO., LTD.

TITLE MB982SP-1S_组立图		TOLERANCE X ±0.30 XX ±0.10 XXX ±0.05 XXX ±0.02	
DRAWN		DATE 2011-04-29	FINISHED
CHECKED	DATE	PART NO.	UNIT mm
APPROVED	DATE	DWG. NO.	REV. SHEET OF