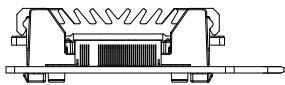
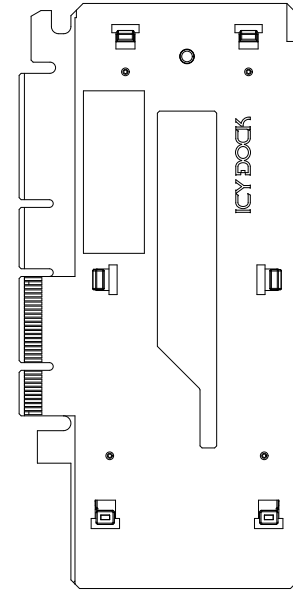
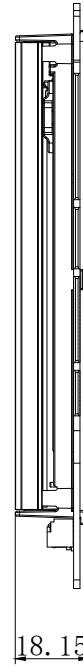
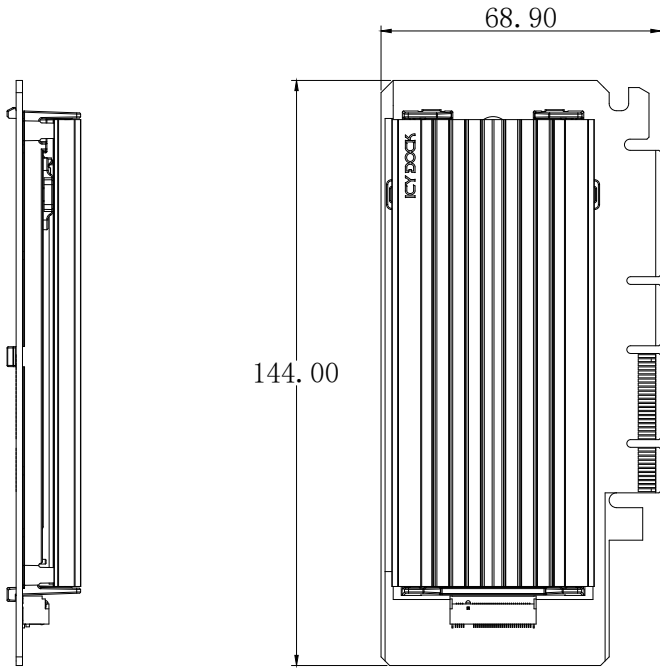
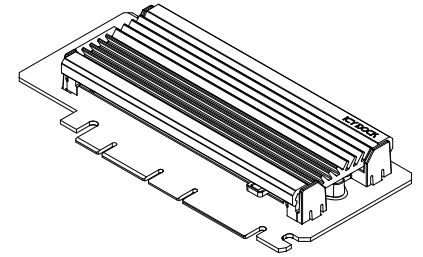
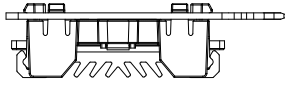


MARK	REVISED CONTENT	DATE	APPROVED
------	-----------------	------	----------



APPLIED MODEL

CREMAX TECH CO., LTD.				
TITLE			TOLERANCE	
MB987M2P-2B 装配图			X ±0.20 X.X ±0.10 X.XX ±0.05 X°.X° ±0.5°	
DRAWN	DATE	FINISHED		SCALE
	2023.08.15			1:1
CHECKED	DATE	PART NO.	UNIT	REV.
			mm	1.0
APPROVED	DATE	DWG. NO.	SHEET 1 OF 1	