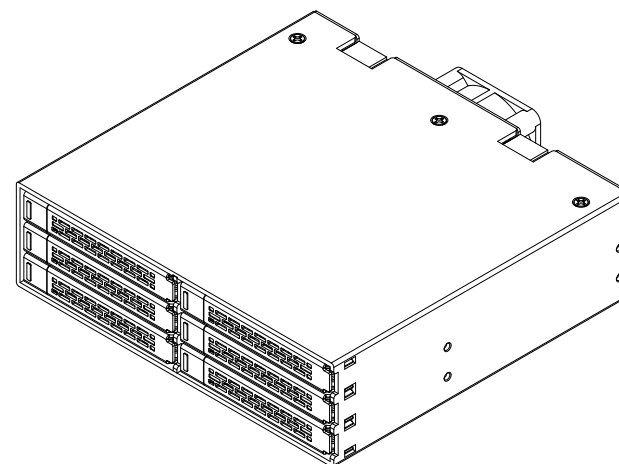
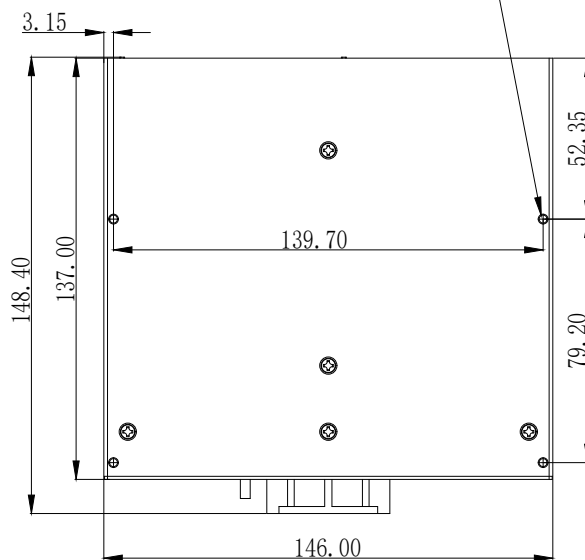
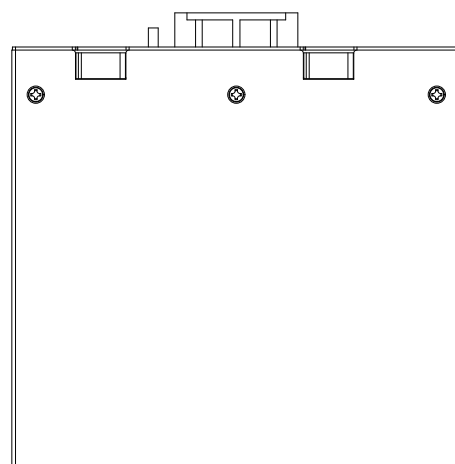
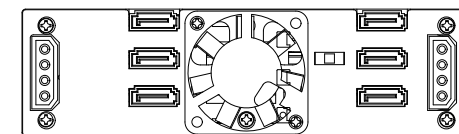
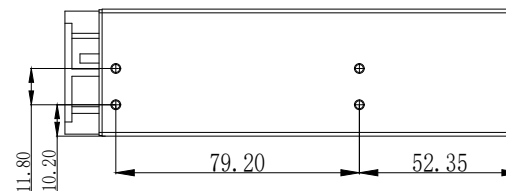
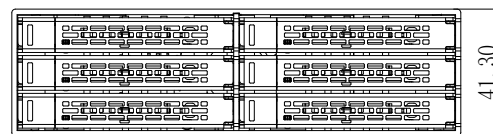
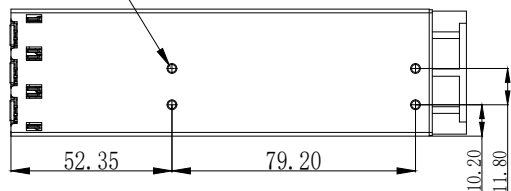


4-M3*2.5 (Suggest screw size)



8-M3*2.5 (Suggest screw size)



APPLIED MODEL

CREMAX TECH CO., LTD.

TITLE				TOLERANCE	
MB996SP-6SB 全组立图		MATERIAL		X	±0.20
				X.X	±0.10
				X.XX	±0.05
				X' . X"	±0.5"
DRAWN	DATE	FINISHED		SCALE	
	2022/9/15			1:1	
CHECKED	DATE	PART NO.		UNIT	REV.
				mm	
APPROVED	DATE	DWG. NO.		SHEET 1 OF 1	