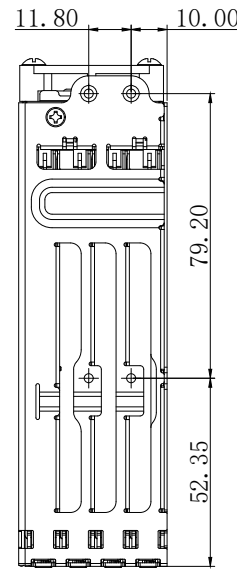
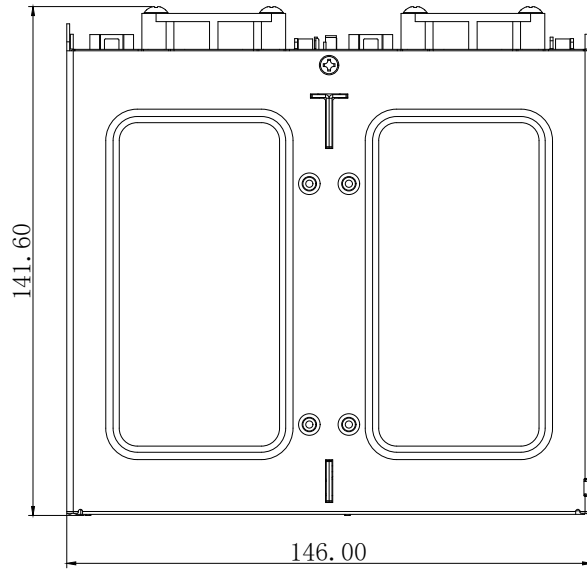
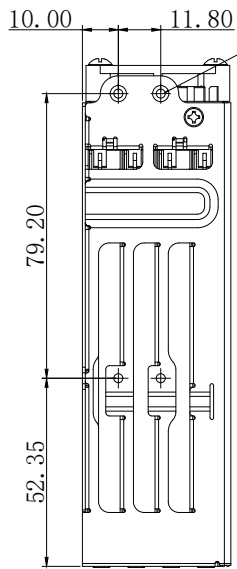
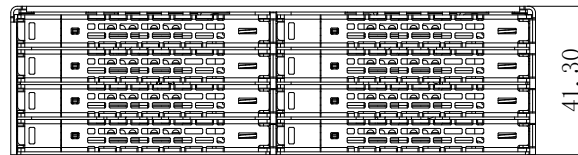
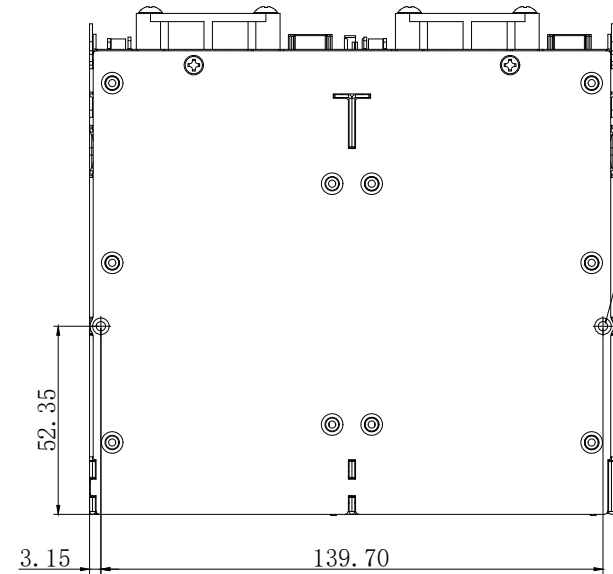


8-M3\*2.5 (Suggest screw size)



2-M3\*2.5 (Suggest screw size)



APPLIED MODEL

CREMAX TECH CO., LTD.

TITLE MB998IP-B 全组立图		 MATERIAL		TOLERANCE X ±0.30 X.X ±0.20	
DRAWN	DATE 2022/9/15	FINISHED		SCALE 1:1	
CHECHED	DATE	PART NO.	UNIT mm	REV.	
APPROVED	DATE	DWG. NO.	SHEET 1 OF 1		