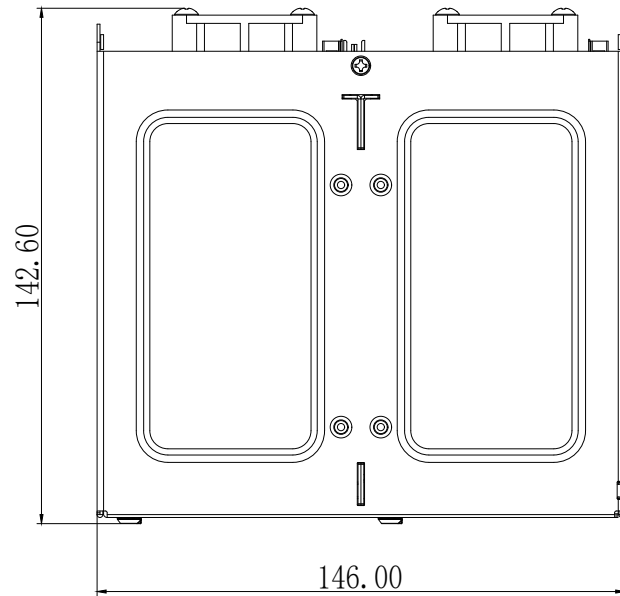
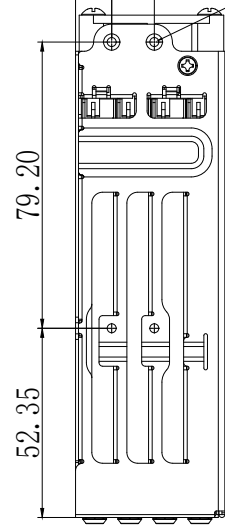
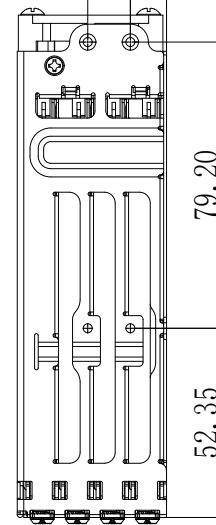


8-M3*2.5(Suggest screw size)

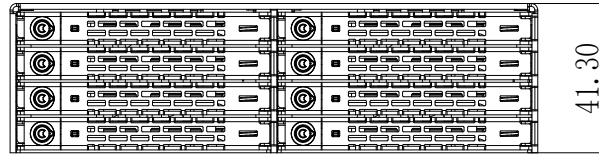
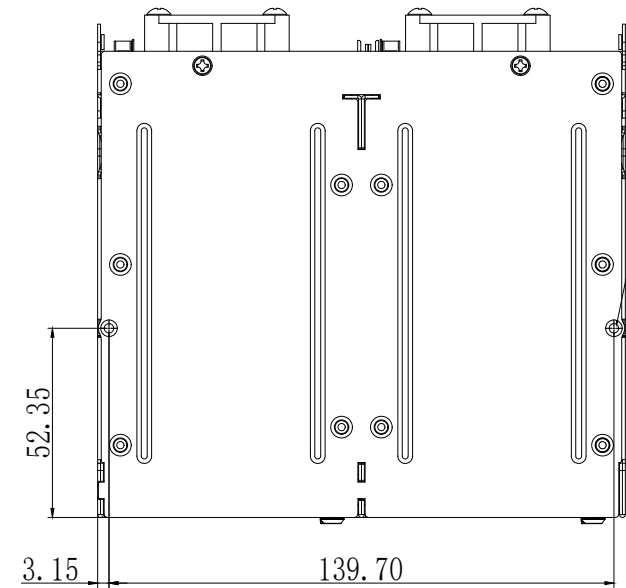
10.00 11.80



11.80 10.00



2-M3*2.5(Suggest screw size)



APPLIED MODEL

CREMAX TECH CO., LTD.

TITLE		MATERIAL		TOLERANCE X ±0.30 X.X ±0.20	
MB998SK-B 全组立图					
DRAWN	DATE 2022/9/15	FINISHED		SCALE 1:1	
CHECKED	DATE	PART NO.	UNIT mm	REV.	
APPROVED	DATE	DWG. NO.	SHEET 1 OF 1		