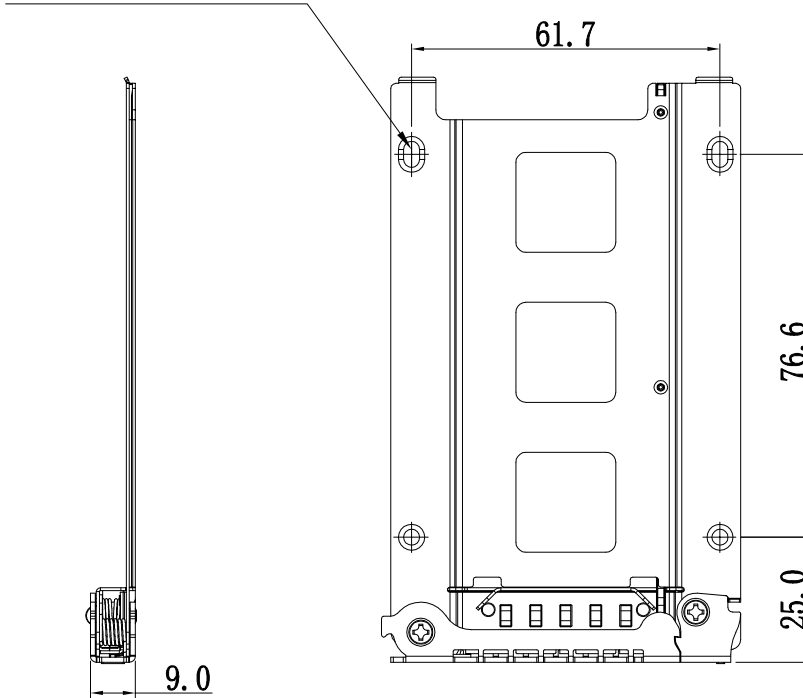
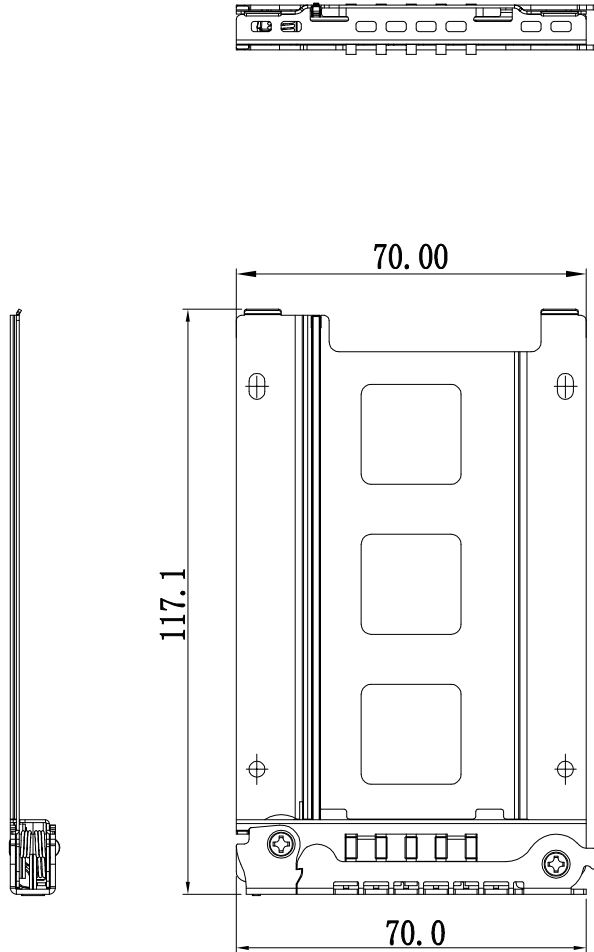


M3*4
(Suggest screw size)



APPLIED MODEL

CREMAX TECH CO., LTD.

TITLE		TOLERANCE	
MB998TP-B 组立图		X.X ±0.20	
DRAWN		SCALE	
DATE		1:1	
CHECKED		PART NO.	
DATE		UNIT	
APPROVED		DWG. NO.	
		SHEET 1 OF 1	