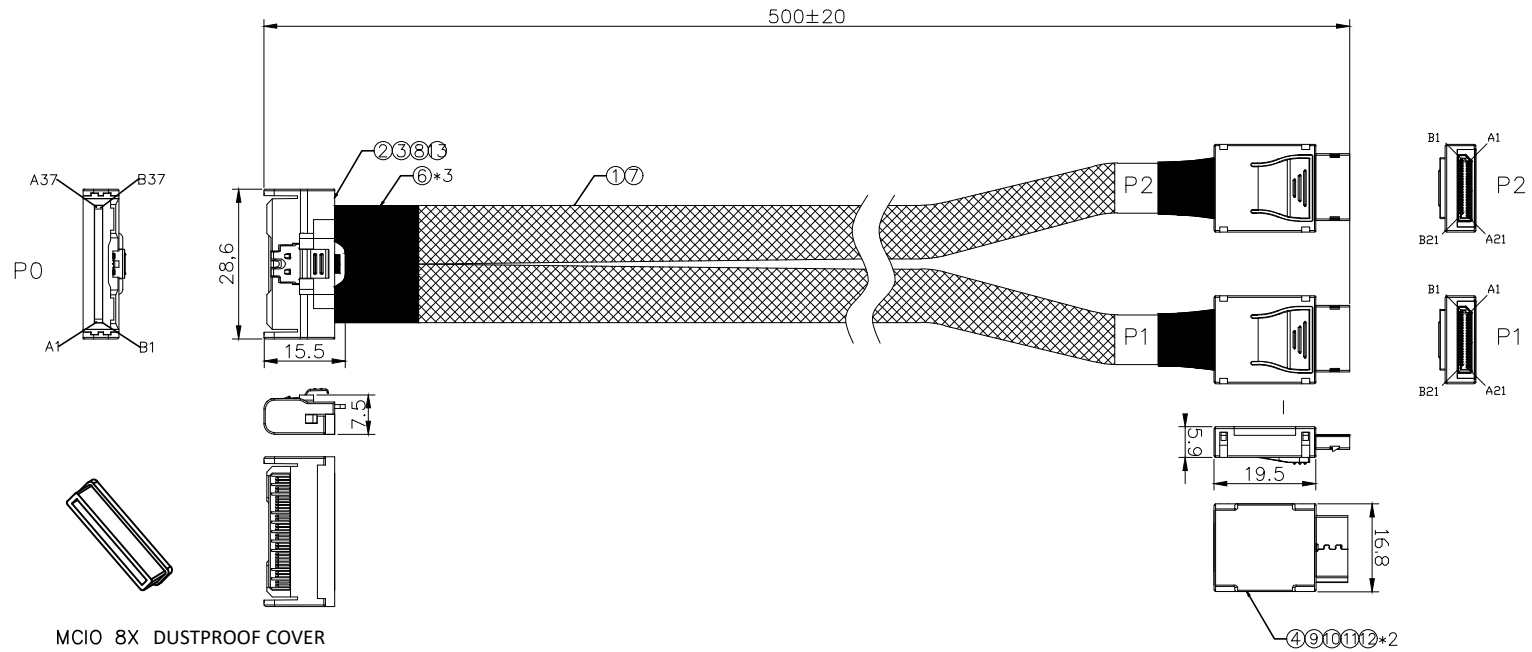
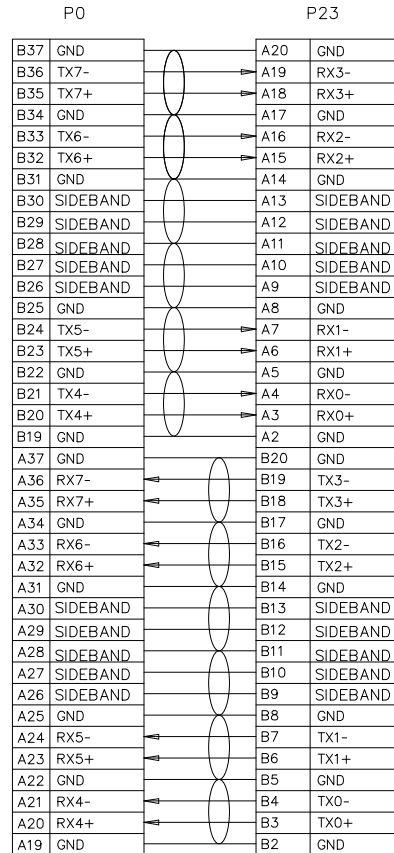
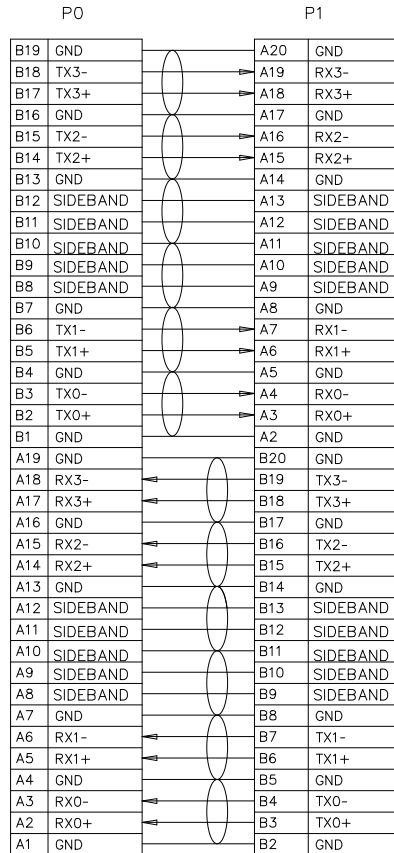


**RoHS**  
compliant



MCIO 8X DUSTPROOF COVER

NO.	PART NAME	PART NO.	SPEC DESCRIPTION	QTY	UNIT
13	HUUSING	AQ-3-MS64011	PA66+30%GF,BALCK	1	PCS
12	CONN	AQ-3-MS51C02	OCULINK 4I CONN PIN:Au 15u	1	PCS
11	PCB	AQ-3-MS31022	OCULINK 4I PCB 88±8 ohm	1	PCS
10	HOOK	AQ-3-MS64002	OCULINK 4I HOOK_UP PC+ABS, BLACK	1	PCS
9	HOOK	AQ-3-MS64001	OCULINK 4I HOOK_DOWN PC+ABS, BLACK	1	PCS
8	LATCH	AQ-3-MS21008	STAINLESS STEEL	1	PCS
7	EXPANDD	AQ-3-MS76001	PET BALCK DD: 10mm	A/R	mm
6	ACETATE TAPE	AQ-3-MS77001	W=25±5mm,BLACK	A/R	mm
5	MDLDING	AQ-3-GL100101	LDPE,NATURAL	A/R	9
4	MDLDING	AQ-3-GL100401	PBT+30GF% BLACK	A/R	9
3	PCBA	AQ-3-MS31027	MCIO 8I PCB, PIN:30u Au, 88±8 ohm	1	PCS
2	MDLDING	AQ-3-GL10501	PA,BALCK	A/R	9
1	CABEL	AQ-3-MS40208	(30AWG*2C+2D)AL+MYLAR,DD1.0*1.85MM,85±5 ohm	A/R	mm
NO.	PART NAME	PART NO.	SPEC DESCRIPTION	QTY	UNIT



ELECTRICAL CHARACTER:

- a. 100% OPEN&SHORT TESTING;
- b. WITHSTANDING VOLTAGE:DC 300V 0.01Sec;
- c. INSULATION RESISTANCE:10M Ohm(Min);
- d. CONDUCTIVE RESISTANCE:2 Ohm(Max).