

Copyright © ICY DOCK International. All Rights Reserved.



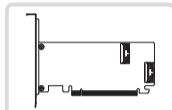
Cremax Europe GmbH  
Email: support@icydock.com  
Weidenweg 21H, 47059 Duisburg, Germany



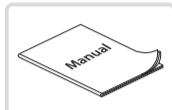
Beyond Technologies UK Ltd  
Email: info@beyondtech.co.uk  
Unit B6, Halesfield 11, Telford, Shropshire, TF7 4PH, U.K.

## 1

Package Contents • Packungsinhalt • Contenu • Contenido del paquete  
• 包装について • 包装説明 • 包装说明



Device



User Manual



1 x #6-32\*5 for Device



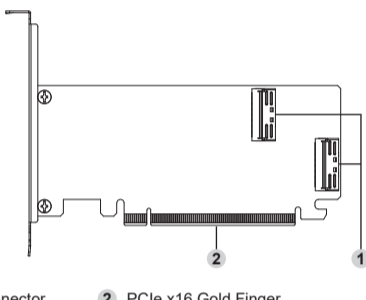
Full &amp; Half Height Expansion Slot Faceplate

⚠ **Note:** Please use the included screws to secure the device.

## 2

Device Information • Geräteinformationen • Informations dispositifif  
• Información del dispositivo • 本体説明 • 機體説明 • 机体说明

## ▼ Front View



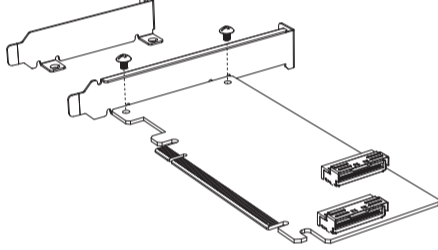
1 MCIO 8i Connector

2 PCIe x16 Gold Finger

## 3

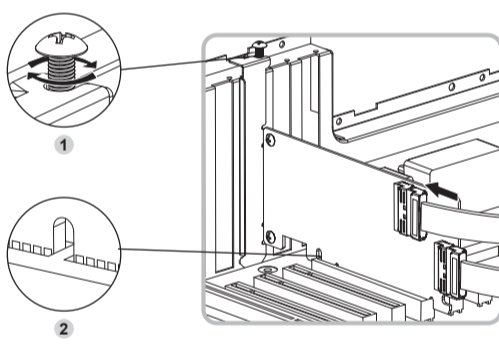
Device Installation • Installation eines Gerätes • Installation du dispositifif  
• Instalación del dispositivo • デバイス取付手順 • 装置安裝步驟  
• 设备安装步骤

3-1



Select the Full/Half Height Expansion Slot Faceplate according to the chassis I/O space specifications, and secure it to the adapter with two bracket screws.

3-2

⚠ **Note:**

- Safety First:** Before any hardware installation, please ensure all power is switched off and cords are disconnected for your safety and to protect the equipment.
- Handling Adapter:** Kindly handle the circuit boards with care, as they are sensitive to static. We strongly advise grounding yourself before touching to avoid electrical damage.
- Securing the Adapter:** Please use the included screws to secure the device firmly in place.
- Cable Management:** When disconnecting cables, always gently press the overmold to release the connector latches. This helps prevent any harm to the cable or connector.
- Magnetic Field:** Please place the adapter in a safe location, away from magnetic fields, high voltage, direct sunlight, and moisture to ensure its longevity.

**Recommended Usage and Compatibility Note:**

To ensure the best performance and compatibility, we strongly recommend using ICY DOCK's certified MCIO cables and NVMe drive enclosures with this adapter card. This minimizes the risk of signal loss or connection errors, especially under PCIe Gen 4/5 high-speed operations.

To explore compatible SSDs, host cards, and enclosures, please visit our NVMe Storage Selection Guide:

<https://global.icydock.com/nvmetool.html>

**Technical Specification:**

Model	MB308A5
Compatible Drive Type	NVMe
Support Slots	1 x PCIe 4.0 or 5.0 x16 expansion slot
Host Interface	PCIe 5.0 x16
Endpoint Interface	2 x MCIO 8i(SFF-TA-1016)
Transfer Rate	PCIe 5.0 x 16 up to 512Gbps
Supported Operating Systems	No limitation
Package Contents	Device, user manual, half height IO faceplate, screw
Compliance	CE, UKCA, RoHS, REACH
Warranty	2 years warranty



**Warranty**  
icydock.com/warranty



**Product Resources**  
Specs · Data Sheet · FAQ

ICY DOCK reserves the right to change product specifications, components, or accessories without prior notice