

MB720M2K-B



(PCIe 3.0)

MB720MK-B V2



(PCIe 4.0)

Scan the QR code for more product information

Copyright © ICY DOCK International. All Rights Reserved. 6502871 VER 2.0

1

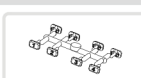
Package Contents • Packungsinhalt • Contenu • Contenido del paquete • 包装について • 包装説明 • 包装说明



Device



User Manual



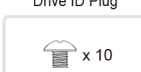
Drive ID Plug



Thermal Pads x 4
Key x 8



Key x 2



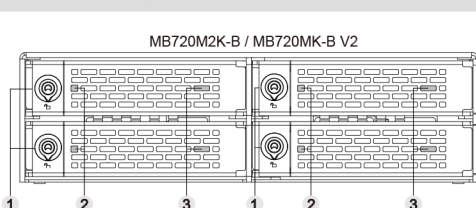
8 x M3*2.5 Screws for Device
(2 x Screws for Spare Parts)

⚠ Note: Please use the included screws to secure the device

2

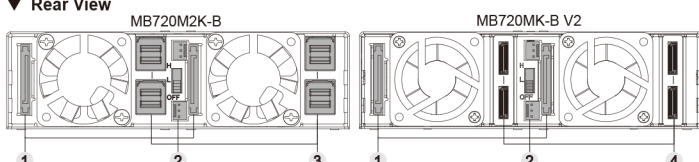
Device Information • Geräteinformationen • Informations dispositif • Información del dispositivo • 本体説明 • 機體説明 • 机体说明

▼ Front View



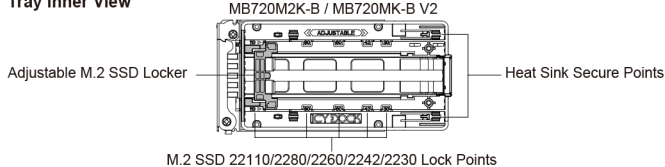
- 1 2-Segment Keylock
- 2 LED Indicator (Power: Solid Green; Drive Access: Flashing Green)
- 3 Slot for Drive ID Plug

▼ Rear View



- 1 15 Pin Power
- 2 3 Pin Fan Header
- 3 MiniSAS HD Connector
- 4 OCuLink Connector

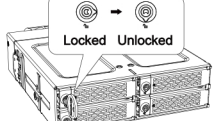
▼ Tray Inner View



3

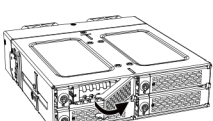
Installation Guide • Installationsanleitung • Guide d'Installation • Guía de instalación • 製品の組み込み手順について • 操作步驟 • 操作步驟

3-1

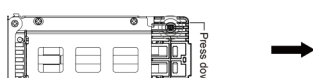


Locked Unlocked

3-2

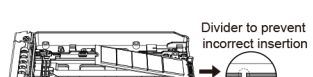


3-3



The metal heat sink needs to be removed before M.2 SSD installation. To remove, simply push the heat sink upward from the rear underside of the drive tray

3-4



To prevent incorrect positioning of the M.2 SSD, align the gap on the connector of the M.2 SSD to the drive tray's slot divider. Then insert the M.2 SSD towards the connector slot

3-5



With the M.2 SSD laying flat on the tray, slide the adjustable locker to secure the M.2 SSD

(Optional)



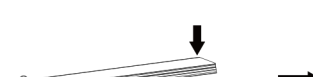
Remove the protective films and then paste the small piece thermal pads onto the shorter component for a complete contact if there is a significant height difference between the components on the M.2 drive

3-6



Paste the thermal pad onto the heat sink cover after removing the protective film

3-7



Place the removed heat sink cover back on

3-8



3-9

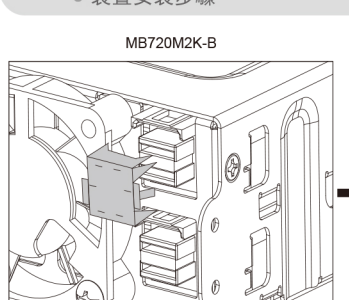


(Optional) Insert the drive ID plug into the slot, according to your preference

4

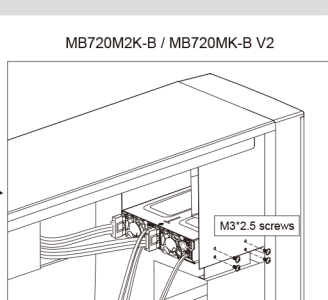
Device Installation • Installation eines Gerätes • Installation du dispositif • Instalación del dispositivo de • デバイス取付手順 • 装置安裝步驟 • 裝置安裝步驟

MB720M2K-B



1. Use a small plier to remove the plastic cover on the MiniSAS HD ports before connecting the cables

MB720M2K-B / MB720MK-B V2



2. Insert the device into external 5.25" bay and use the included M3*2.5 screws to secure the device
3. Connect the power & MiniSAS HD / OCuLink cables to the device to complete installation



For the warranty information, please visit www.icydock.com/warranty.php